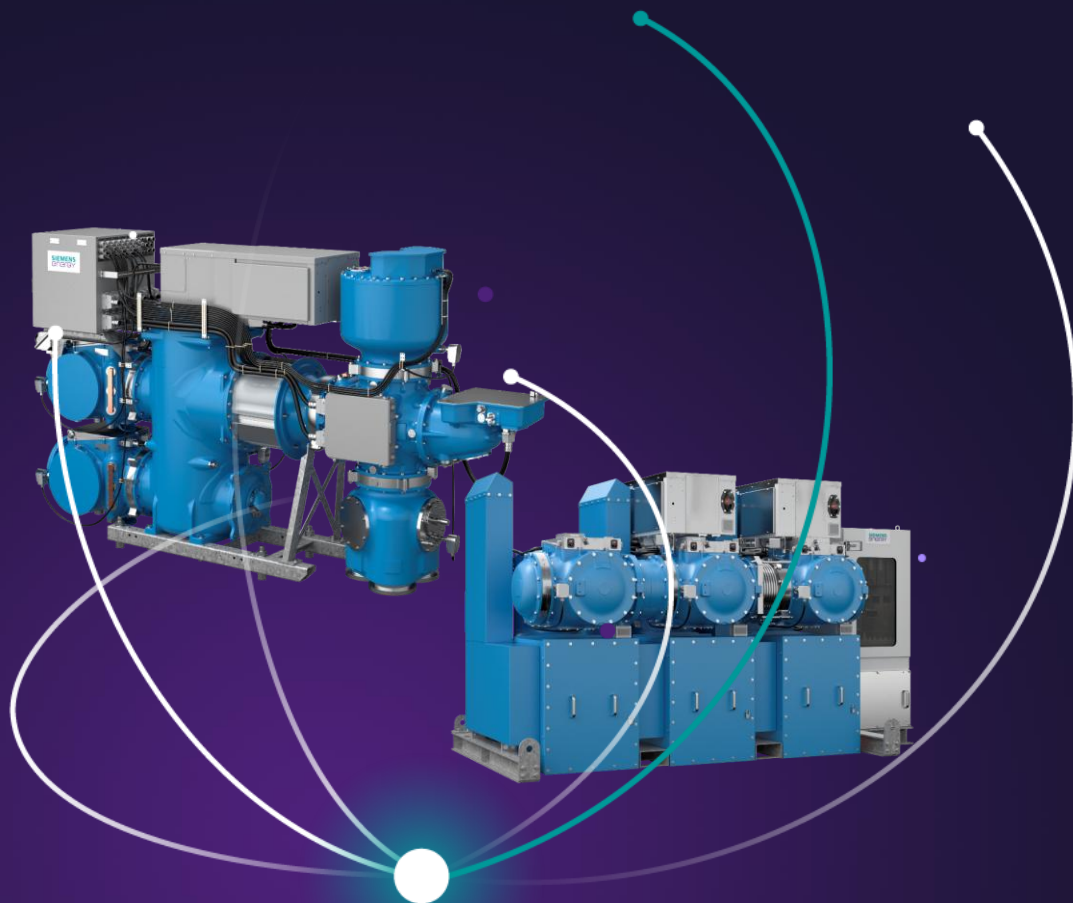


8VM3 Blue GIS™ up to 72.5 kV

Vacuum interrupting technology and clean air
insulation for zero carbon insulation

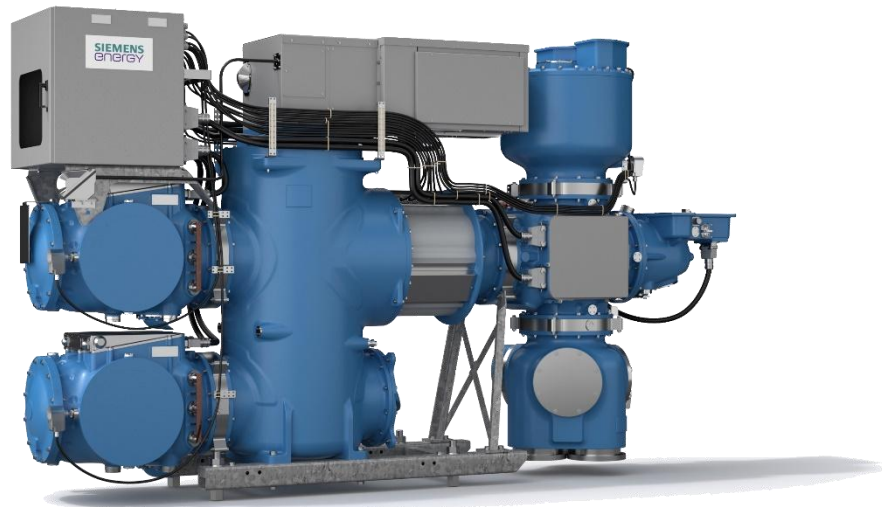


World premiere Team Purple is proud to present 8VM3 Blue GIS™ in Anaheim, CA



The most compact Blue GIS™ 8VM3 up to 72.5 kV / 50 kA

Perfect in size and performance for **versatile applications and switchgear arrangements**, 8VM3 Blue GIS™ enhanced module kit provides solutions for a wide range of requirements and conditions, single line schemes, electrical performance and space limitations.

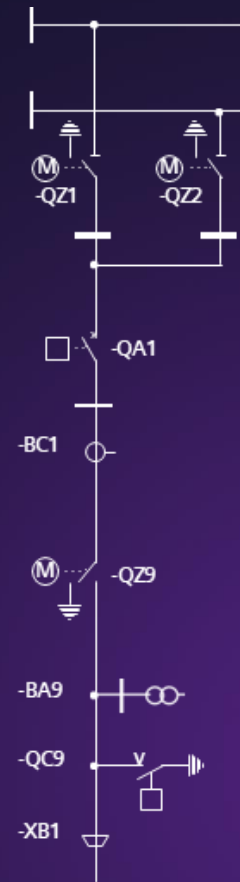
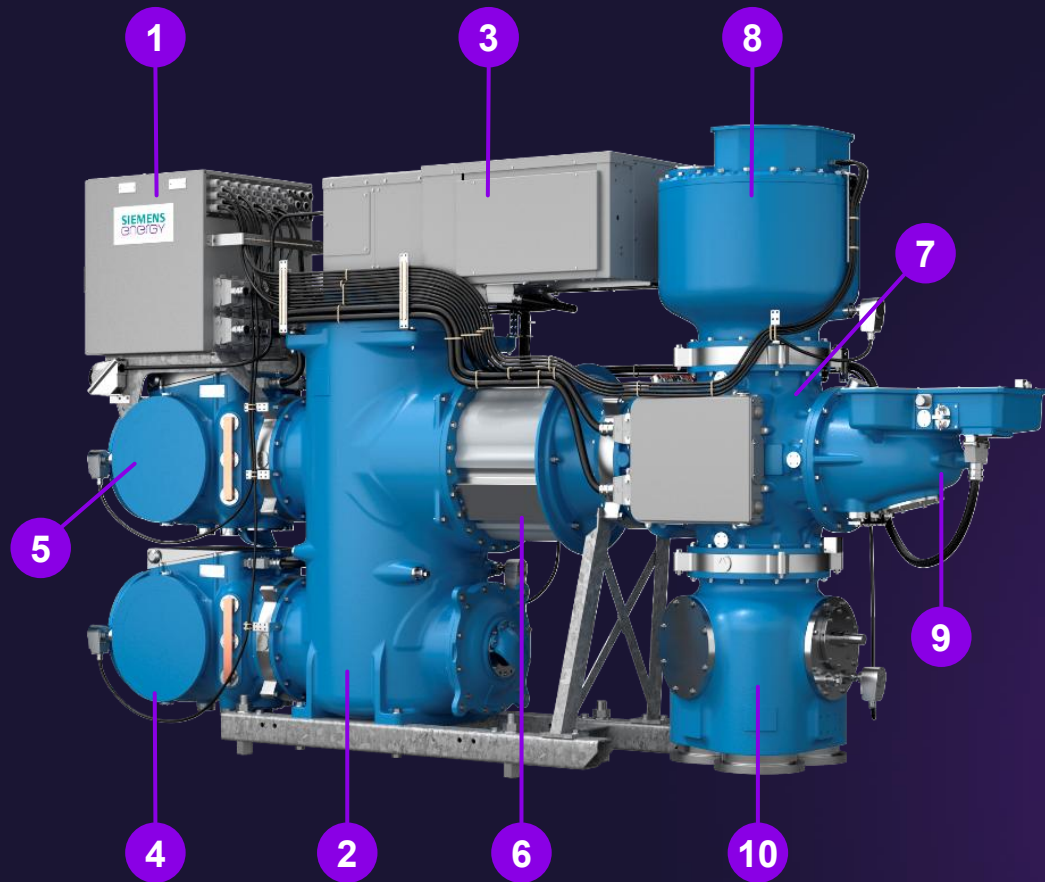


8VM3 Blue GIS™ design is based on our long-time proven 8DN8 GIS platform, offering **higher performance at the same footprint!**

Maximum system voltage	up to 72.5 kV
Rated frequency	50/60 Hz
Rated continuous current	up to 3,000 A
Rated short-time withstand current	up to 50 kA, 3s
Driving mechanism of circuit breaker	stored-energy spring
Interrupter technology	vacuum
Insulation medium	clean air
Rated filling pressure	0.66 MPa abs
Bay width common pole drive	800 mm
Bay height	2,600 mm
Ambient temperature range	-50 °C up to +55 °C
Installation	indoor/outdoor
First major inspection	> 25 years
Expected lifetime	> 50 years
Standards	IEC/IEEE

8VM3 Blue GIS™ up to 72.5 kV / 50 kA

Switchgear bay with conventional instrument transformer

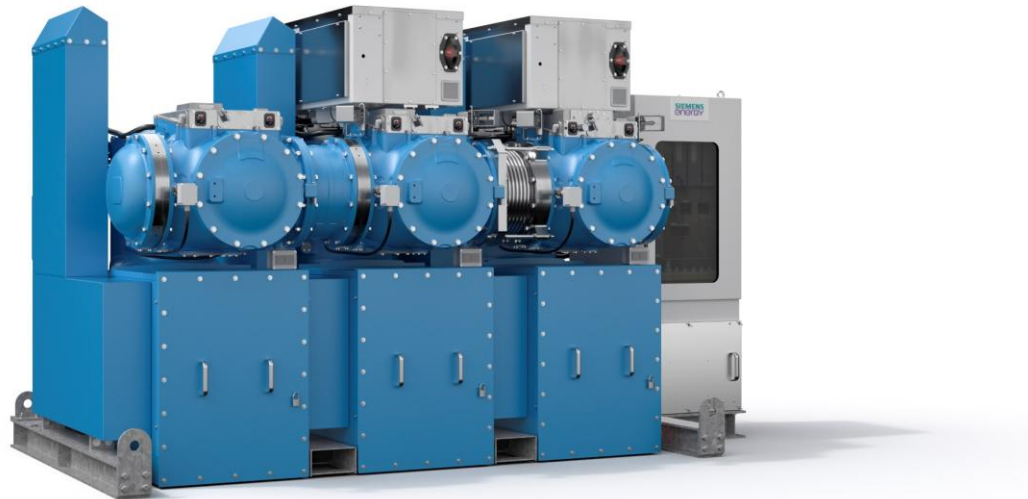


- 1 Integrated local control cubicle
- 2 Circuit-breaker with vacuum interrupter
- 3 Spring-stored-energy operating mechanism with circuit-breaker control unit (common drive)
- 4 Busbar I with disconnector and earthing switch
- 5 Busbar II with disconnector and earthing switch
- 6 Current transformer
- 7 Outgoing module with disconnector and earthing switch
- 8 Voltage transformer
- 9 Make-proof earthing switch (high speed)
- 10 Cable connection module

The Blue power pack

Prefabricated 8VM3 Blue GIS™ RMU with up to three bays

8VM3 Blue GIS™ advanced design allows for the delivery of a pre-assembled, tested, and "ready to connect" two or three bays RMU (ring main unit), **significantly reducing on-site installation work.**

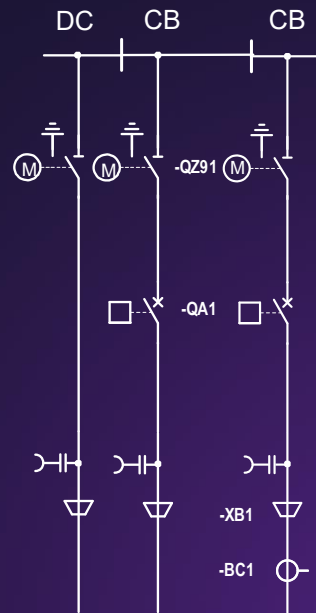


The Blue power pack includes the 8VM3 Blue GIS™ mounted on a base frame and an LCC with the required protection, automation and supervision – all wired and factory tested.
An ideal solution for **wind turbine generators.**

Maximum system voltage	up to 72.5 kV
Rated frequency	50 / 60 Hz
Rated continuous current	up to 1,250 A
Rated short-time withstand current	up to 31 kA, 3 s
Driving mechanism of circuit breaker	stored-energy spring
Interrupter technology	vacuum
Insulation medium	clean air
Rated filling pressure	0.60 MPa abs
Bay width common pole drive	1,050 mm
Bay height/depth	2,400/2,200 mm
Ambient temperature range	-30 °C up to +50 °C
Installation	indoor
First major inspection	> 25 years
Expected lifetime	> 50 years
Standards	IEC/IEEE

8VM3 Blue GIS™ up to 72.5 kV

The Blue Power Pack RMU with up to three bays



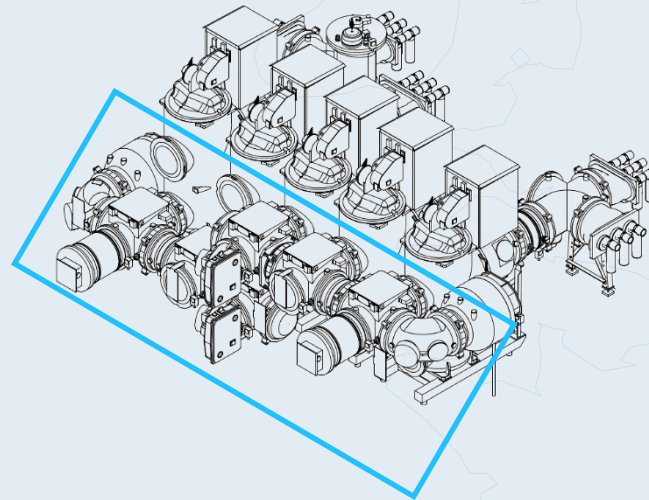
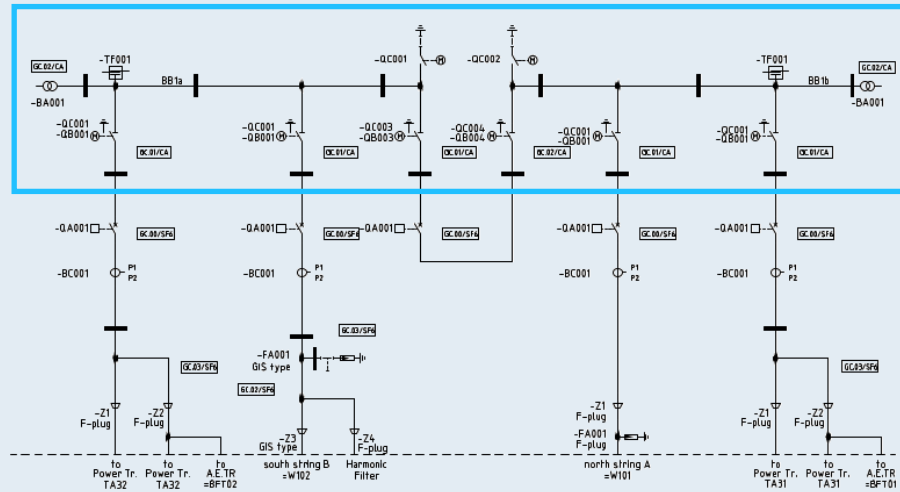
- 1 Local control cubicle
- 2 Circuit-breaker with vacuum interrupter
- 3 Spring-stored-energy operating mechanism with circuit-breaker control unit (common drive)
- 4 Busbar with disconnecter and earthing switch
- 5 Voltage Detection and Indication System (VDIS)
- 6 Outer-cone cable connection compartment
- 7 Current transformer (window type in cable connection compartment)

Coming soon:

Low power instrument transformer (LPIT)
integrated in a partition or in the cable bushings

Pilot project with Vattenfall

72.5 kV 8DN8 switchgear with clean air busbar



Offshore platforms
Vesterhav Nord and
Vesterhav Syd (Denmark)

72.5 kV 8DN8
switchgear with busbar
in **clean air**

Manufactured and
delivered by Siemens
Energy in 2020

Energized in 2023
(Vesterhav Syd) and 2024
(Vesterhav Nord)

Disclaimer

Subject to changes and errors. The information given in this document only contains general descriptions and/or performance features which may not always specifically reflect those described, or which may undergo modification in the course of further development of the products. The requested performance features are binding only when they are expressly agreed upon in the concluded contract.

All product designations, product names, etc. may contain trademarks or other rights of Siemens AG, its affiliated companies or third parties. Their unauthorized use may infringe the rights of the respective owner.

Contact page



Siemens Energy Global GmbH & Co. KG
Siemens Energy
Gas and Power

E-mail:

support.energy@siemens.com

Further reading:

- [Siemens Energy Blue Products](#)
- [Siemens Energy Gas-insulated substations](#)
- [Siemens Energy Transmission Products](#)

[siemens-energy.com](https://www.siemens-energy.com)

